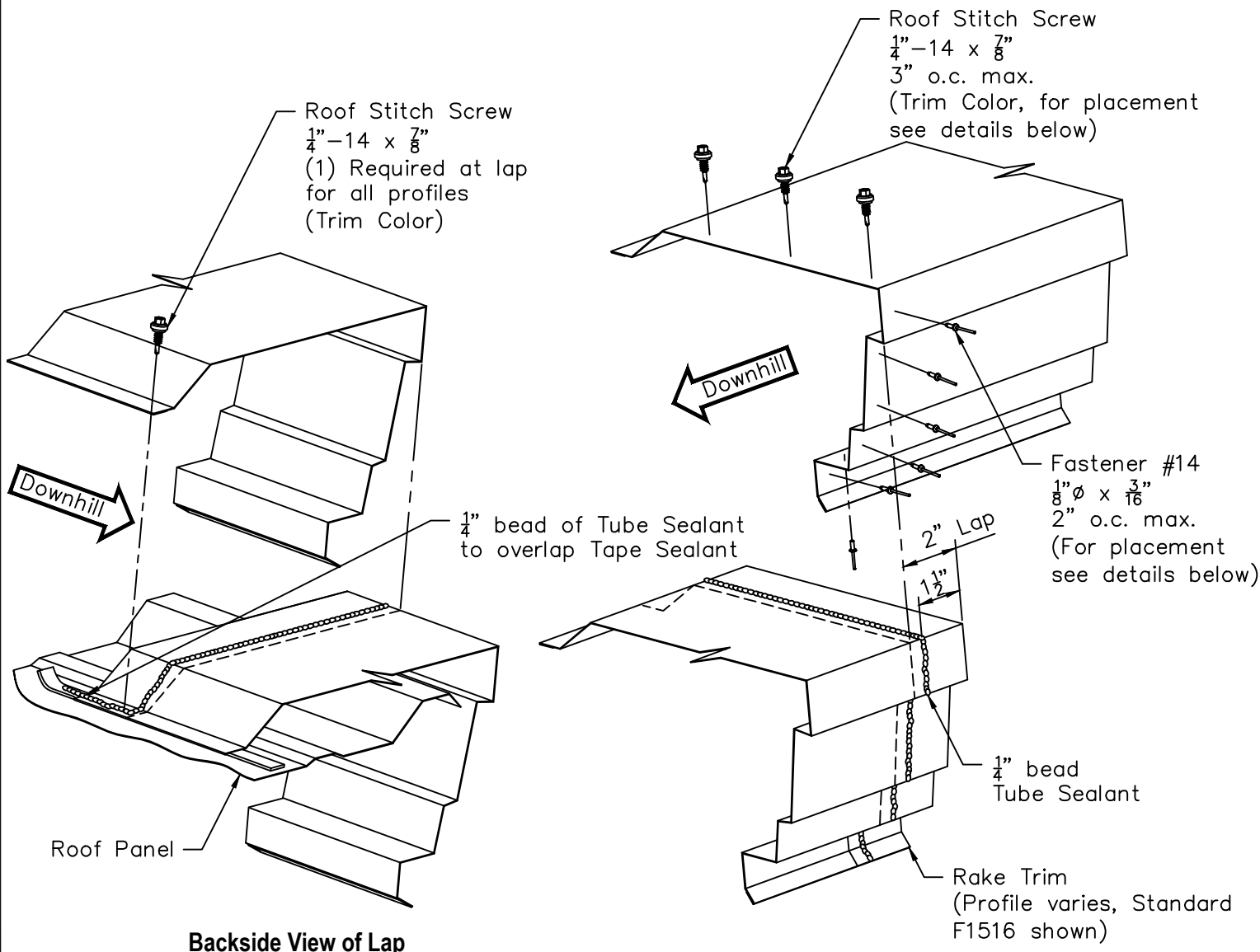


**Rake Trim End Lap Installation - 1 1/4" Wall Panel**



**Backside View of Lap**

